

BLINDS To Go™

Horizontal Mini Blinds Installation Guide



BTG 468298

EN_rev0614

We make it easy!

For more safety information: 1-866-662-0666 or www.healthcanada.gc.ca/blindcords

Before starting

Your new Blinds To Go® horizontal mini blind is custom made to your specifications from the finest materials available. The installation should be easy and your blind should fit beautifully.

Mounting Options

Inside mount: Blind is mounted inside the window frame or into the ceiling.

Outside mount: Blind is mounted either on or outside the window frame.

Note: Mounting screws provided are suitable for most mounting surfaces. See below for additional suggestions.

For wallboard or plaster: Use hollow wall anchors for added support.

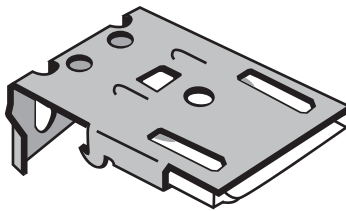
For concrete, stone, brick or tile: Use an appropriate drill bit and appropriate anchors before fastening the screws.

For metal surfaces: Pre-drill holes before fastening the screws.

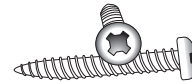
Suggested Tools

- Drill
- Level
- Pencil
- Screwdriver
- Tape measure

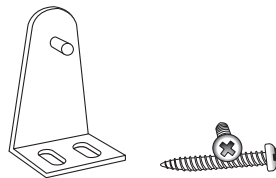
Parts



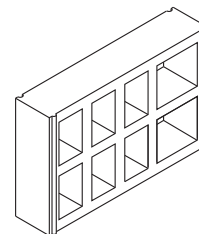
Mounting brackets
Quantity: 2 or more depending
on width of blind



Mounting screws
Quantity: 2 for each bracket



Hold down brackets
and screws (optional)



Spacer blocks (optional)
Quantity: 2 per mounting bracket

Getting started *(for blinds less than 12" wide, go to page 4)*

Step 1. Mounting brackets

1. The brackets should be positioned **approximately** $3\frac{1}{2}$ " in from each end of the headrail *(Fig. A next page)*. If necessary, adjust the position of the brackets to avoid interfering with the operating components inside the headrail *(Fig. B, next page)*.

When more than two brackets are supplied, position the additional brackets evenly between the two end brackets.

Important: Under all circumstances, the brackets should be positioned to avoid interfering with the operating components in the headrail (Fig. B).

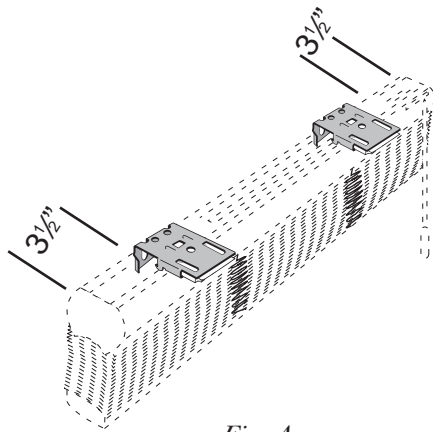


Fig. A

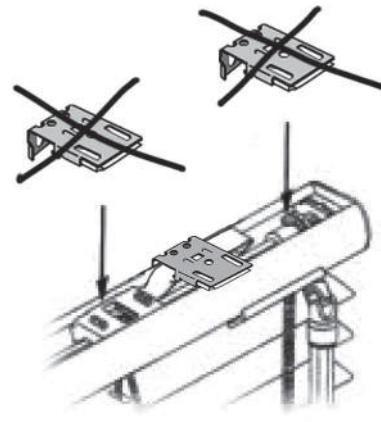
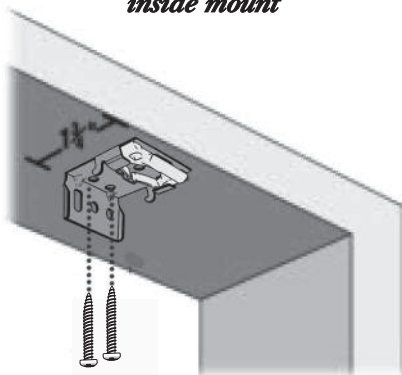


Fig. B

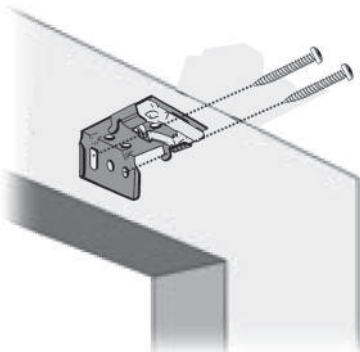
2. Mount the brackets as illustrated.

inside mount

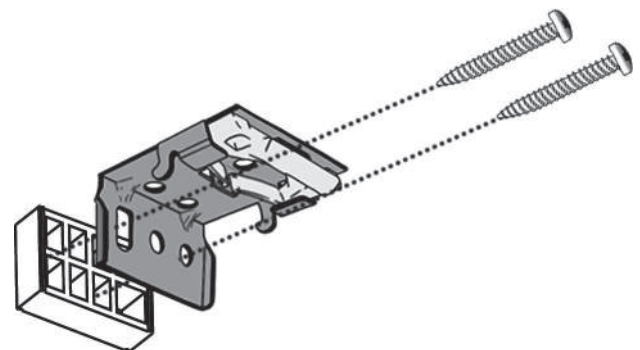


For the blind to be flush within the frame, the back edge of the brackets should be 1 3/4" back from the front of the frame.

outside mount



*applying spacer blocks
(optional)*



Step 2. Attaching the wand

Important: Attach the wand BEFORE installing your blind.

1. Insert the stem of the wand into the hole in the headrail. Turn the stem while pushing it into the hole until it snaps. See Fig. A, next page.
2. Once the stem snaps in place, it will automatically be secured in position by the metal bar. See Fig. B, next page.

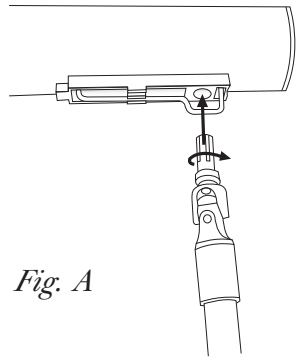


Fig. A

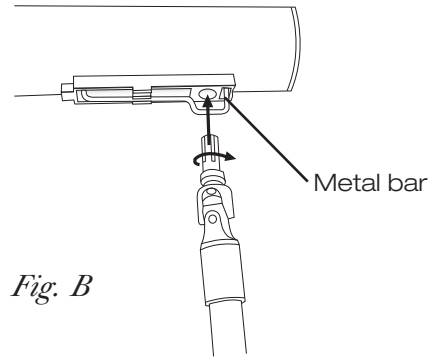
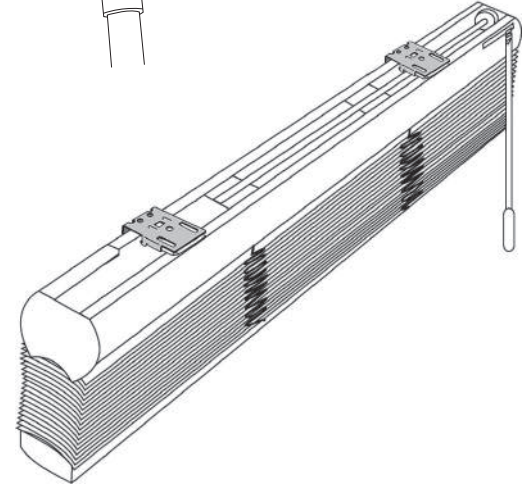


Fig. B

Step 3. Installing the blind into the brackets

Note: Make sure the blind is in the closed position before installing.

1. See Fig. C. Fit the front edge of the headrail into the front hooks of the plastic piece in the bracket.
2. See Fig. D. Push the front of the headrail backwards and turn the back of it upwards until it snaps over the back bracket hooks.



IMPORTANT!

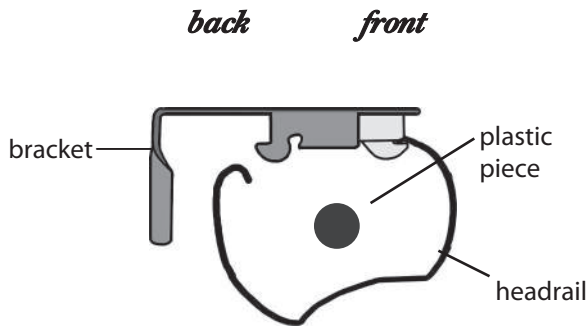


Fig. C

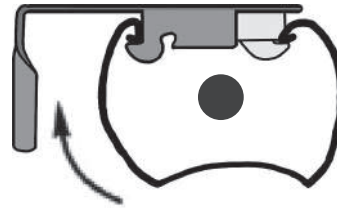
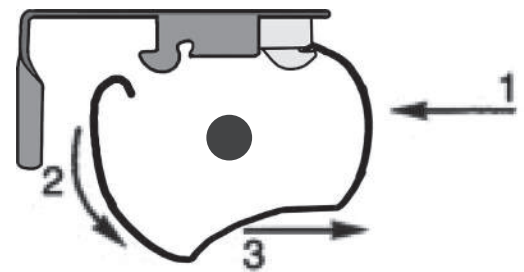


Fig. D

Fig. E

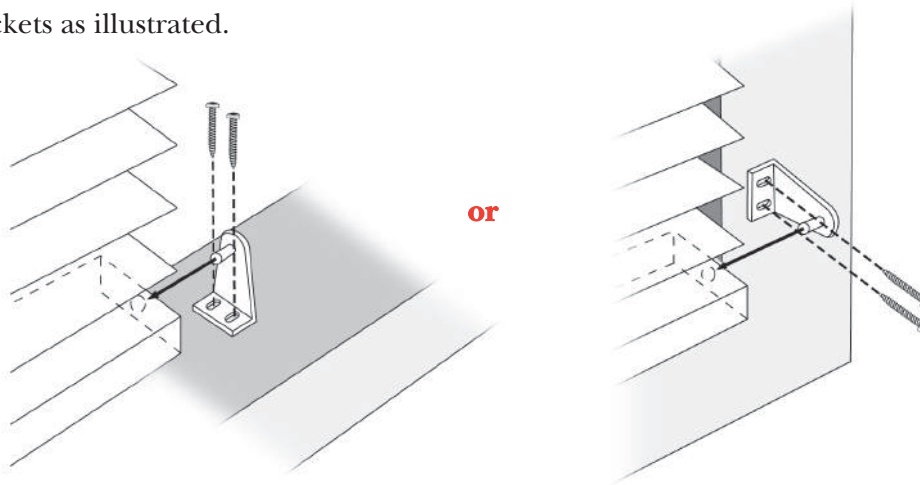
Removing the blind: DO NOT USE TOOLS

See Fig. E. To remove the blind, push the headrail backwards to unlock (1) and roll up the headrail to release (2). Then pull the headrail out (3).



Step 4. Mounting hold down brackets *(only if you have ordered hold down brackets)*

1. Lower the blind to the desired height. Position the hold down bracket to align the tab to the holes of the end caps of the bottom rail.
2. Mount the brackets as illustrated.



Installing Blinds Less Than 12" Wide

Step 1. Mounting brackets

1. Hold the blind to where you want to mount it and make marks for the two brackets (or one bracket). See *Fig. A*. **Important:** The bracket(s) **MUST** be positioned so that the bracket(s), including the mounting screws, do not interfere with the operating components in the headrail (*Fig. B*).

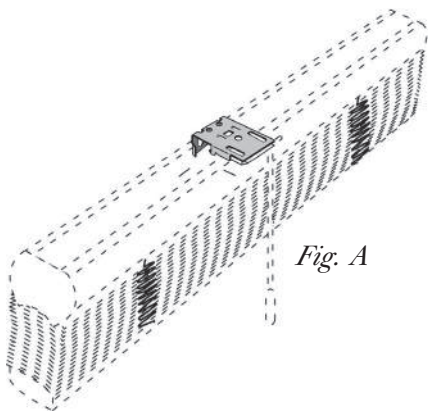


Fig. A

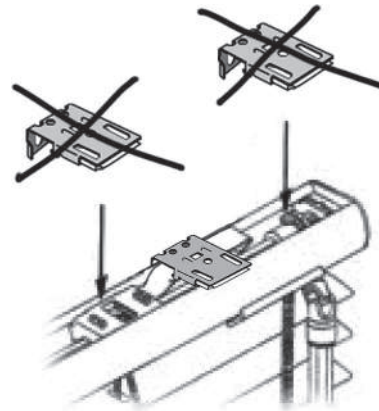
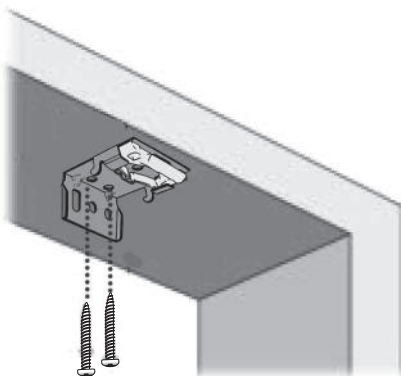


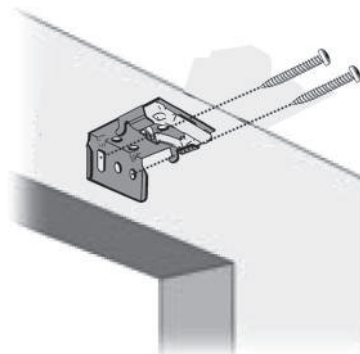
Fig. B

2. Mount the bracket with 2 screws provided.

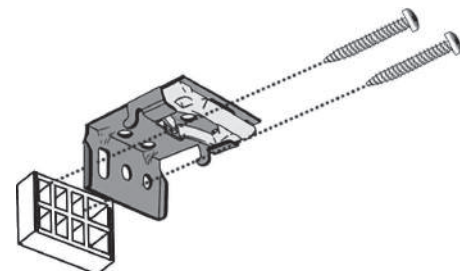
inside mount



outside mount



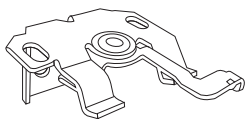
applying spacer block
(optional)





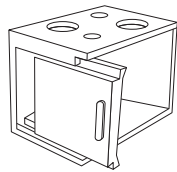
Installing Other Horizontal Mini or Micro Blinds

Parts

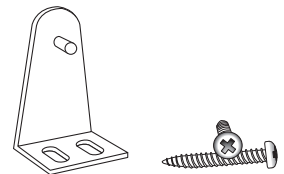


Swivel Brackets
Quantity: 2 or more depending
on width

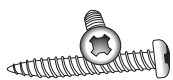
or



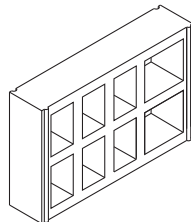
Box Bracket
Quantity: 2



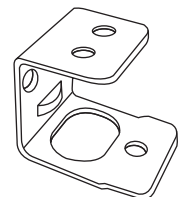
Hold down brackets
and screws (optional)
Quantity: 2



Mounting brackets
Quantity: 2 per bracket



Spacer blocks (optional)
Quantity: 1 per bracket



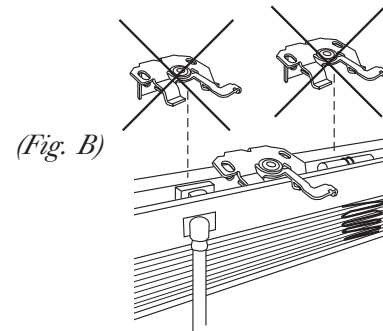
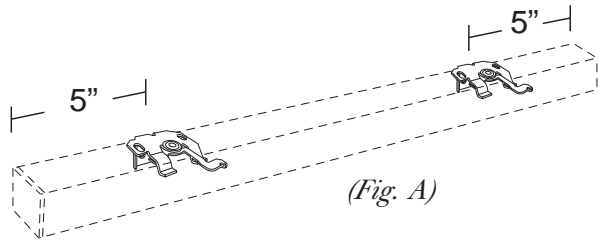
Center support bracket (optional)
Quantity: depending on width if blind

Getting started

Step 1. Mounting brackets

If using Swivel Brackets (refer to bottom of page if using Box Brackets)

1. The brackets should be positioned **approximately 5"** in from each end of the headrail (Fig. A). If necessary, adjust the position of the brackets to avoid interfering with the operating components inside the headrail (Fig. B).

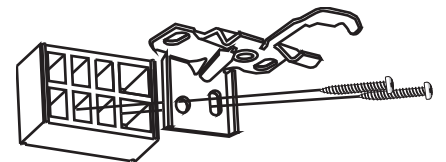
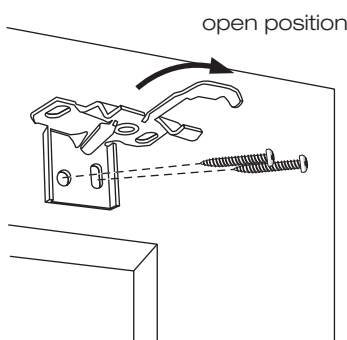
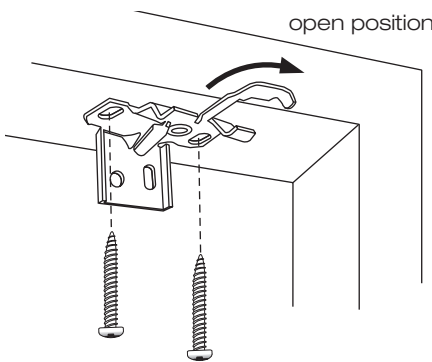


2. Using 2 screws per bracket, fasten the brackets to the mounting surface. Leave brackets in open position.

inside mount

outside mount

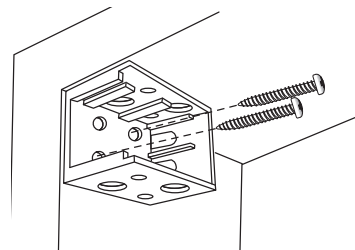
applying spacer block
(optional)



If using Box Brackets

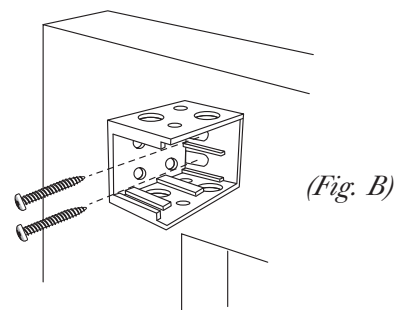
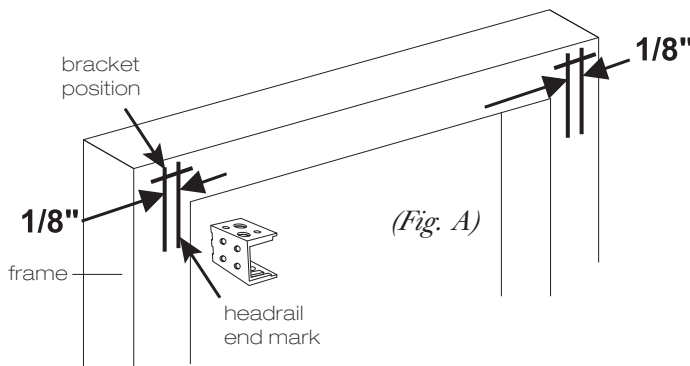
Inside Mount

Mount brackets in the upper corner of the frame



Outside Mount

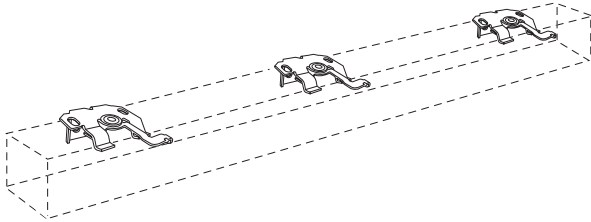
Outside edge of the brackets should be 1/8" to the outside of the headrail end mark. Mark positions of the headrail and brackets (Fig. A). Then use the mark as a guide and mount the brackets (Fig. B)



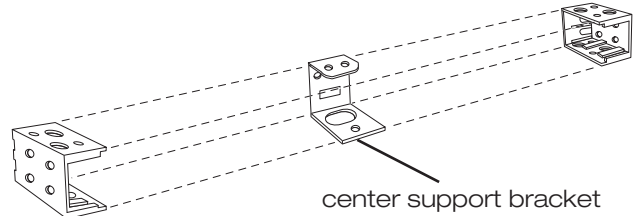
Step 2. Mounting center support brackets

When additional brackets(s) or center support bracket(s) are provided, they should be spaced evenly between the two end brackets. The center bracket could be 2" or 3" to the right or left of center to make sure it does **not interfere with the components in the headrail**.

using swivel brackets



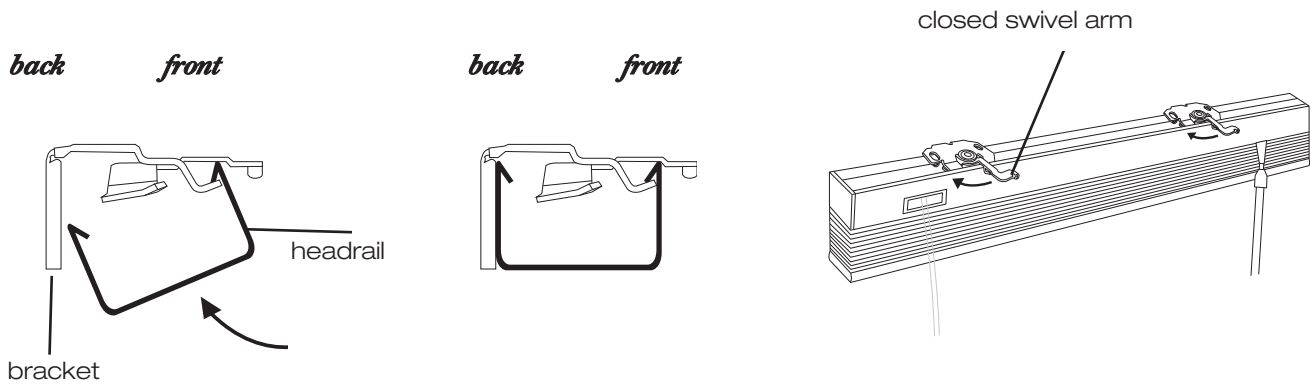
using box brackets



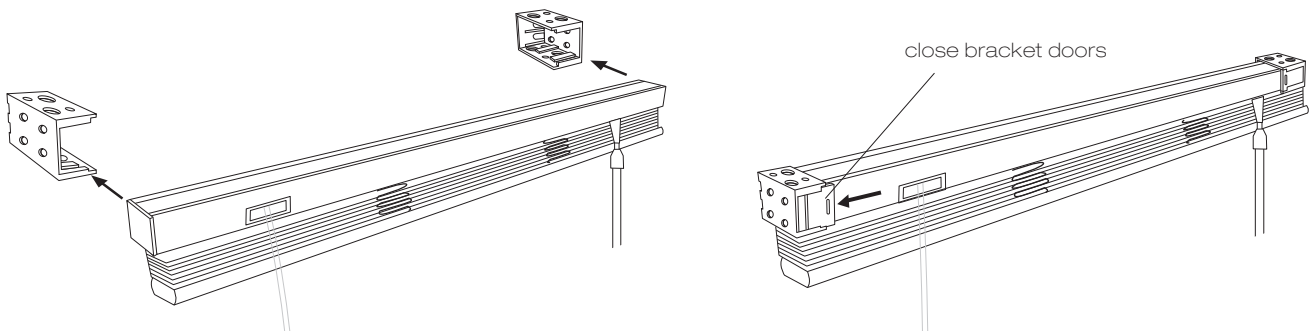
Step 3. Fitting the blind into the brackets

Make sure the blind is in the closed position before mounting. Fit the headrail into the brackets and close the swivel arms or bracket door.

If using Swivel Brackets



If using Box Brackets



Step 4. Mounting hold down brackets *(only if you have ordered hold down brackets)*

Follow instructions referred to in Step 4, on page 4.